

DIRECTIONS FOR USE WITH CS2 CONTROLLERS

With below quoted data and conditions producer provides the user with all necessary informations for correct working and manoeuvring with CS2 controller. Read carefully the instructions before use.

1. TECHNICAL DATA AND WORKING CONDITIONS

1a.) Connecting, Supply media:

- Dried, compressed air, filtered by 70µm filter element, which cleans air and removes dirt, rust and dusty parts. Dirtiness destroys pneumatic elements and can cause disturbances within working controller.

1b.) Supply pressure:

- Maksimum Supply pressure is labelled on housing of controller. Maksimum Supply pressure depends on the typ of controller.

Controller CS2 10 bar :.....max. input pressure: 12 bar / 174 PSI

Controller CS2 8 bar :.....max. input pressure: 12 bar / 174 PSI

1c.) Working temperature range:

- max. operating temperature: - 20°C do + 55°C

WARNING!

- Do not supply controller with inflammable, corrosive, oxidizable, explosive and unstable gases or liquids
- Maximum Supply pressure must be within the borders of allowed pressure range.(marking label on housing of controller)
- Exceeding allowed Supply pressure can damage controller and its internal parts.
- Using controller in exceeding allowed temperature range can damage controller and its internal parts.
- Do not use controller in high corrosion areas, because it can damage its internal parts.
- Before any intervention (change spare parts) make sure that controller is not under pressure .

2. EXAMINATION OF FUNCTION AND APPROPRIATENESS

- Before first use it is necessary to check the controller and its function. Examination of appropriateness and function of components must be done with regard to enclosed part list. Components and order numbers of spare parts are quoted on the back side of enclosed sheet of paper. (Components of controller)

Perform examination in the following way:

- Connect controller with a suitable supply pressure. It is really necessary to consider that "**max. Supply pressure**" does not exceed the maximum allowed value, which is labelled on housing of each contoler and depends on the typ of controller .
- After connetcting to a suitable Supply pressure it is need to check working of controller (Outlet couplings or plugs of controler must be properly closed. By the controler with safety couplings in the outlet conection it is unnecessary.)

If you press the green button (filling), you let the compressed air go through the controller to the outlet coupling. (on the pressure gauge it is possible to read a value of momentary pressure in controller). When you release the green button, supply pressure is interrupted.

Before each use, it is necessary to fill controller with pressure **higher than working pressure and lower than maximum Supply pressure**. This procedure is important to check opening of release valve. (Release valve is previously set on an exact fixed opening point. Extra setting of release valve is not permitted)

If you press the red button (release), you release compressed air from the contoler and object.(on the pressure gauge it is possible to read fall in pressure). When you release the button, the process is interrupted.

After done checking and finding appropriateness, the controller is ready for use. In case you find any fault in working of controler or damaged components, then the controller is not proper for use.

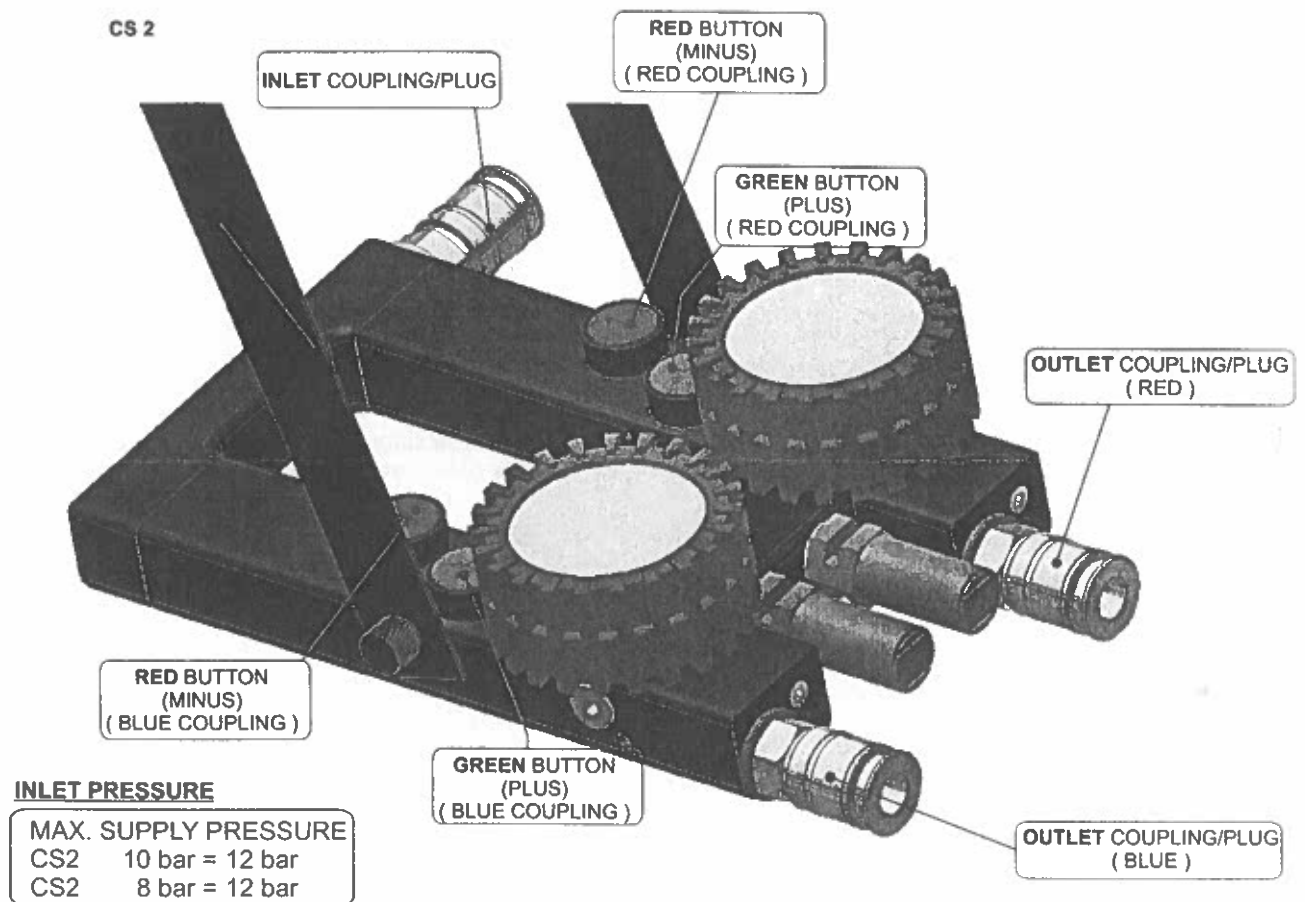
3. USE AND WORKING

- Controller is a device used only for filling high pressure lifting bags and pneumatic plugs.
- With a proper use you prolong working life time of controller. (Be careful laying down controller and do not handle it roughly). For use it is allowed only functional prepared controller.
- Before connecting controller to inlet and outlet tubes it is necessary to make sure , that there is no dirt (sand, bigger dusty parts,...) in tubes and couplings of controller. Risk of troubles in working are reduced, if you consider instructions and clean controller after each use and put it in a suitable box on a proper place.

FILLING

When pressing the green button(marked +),you fill the bag to desired pressure(height)or to maximum working pressure of the controller.

When you release the button, the supply pressure is interrupted and the bag remains under pressure.The pressure can be readed on the pressure gauge.
Pressure gauge protection and outlet coupling ring are the same colour.



RELEASE

When pressing the red button(marked -),you release the bag to desired pressure(height)or to pressure 0 bar.

When you release the button, the supply pressure is interrupted and the bag remains under pressure.

The pressure can be readed on the pressure gauge.
Pressure gauge protection and outlet coupling ring are the same colour.

4. MAINTENANCE AND STORAGE

After each use it is necessary to wipe dirt off the controller.

On normal working conditions it is necessary to check completely controller and its function only periodically.Save controller in dried, not dusty places.